

R&D Electronics Newsletter (2016 Issue 8)

Welcome to our 8th issue of newsletters in 2016!

TECHSEM is the leading Chinese developer and manufacturer of **diode / thyristor modules and capsules (press pack)** with more than 50 years experience.

R&D Electronics is the **exclusive marketing and sales channel for TECHSEM** with the worldwide sales network and our own B2B e-commerce-portal www.rd-ebusiness.com.

In this issue we would like to present some special power modules from TECHSEM and a summary of product features and the customer benefits as well.

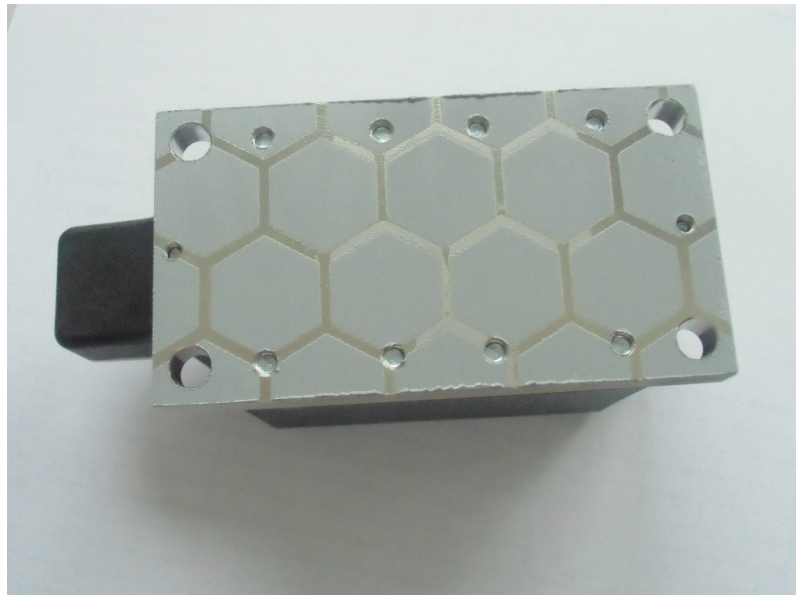
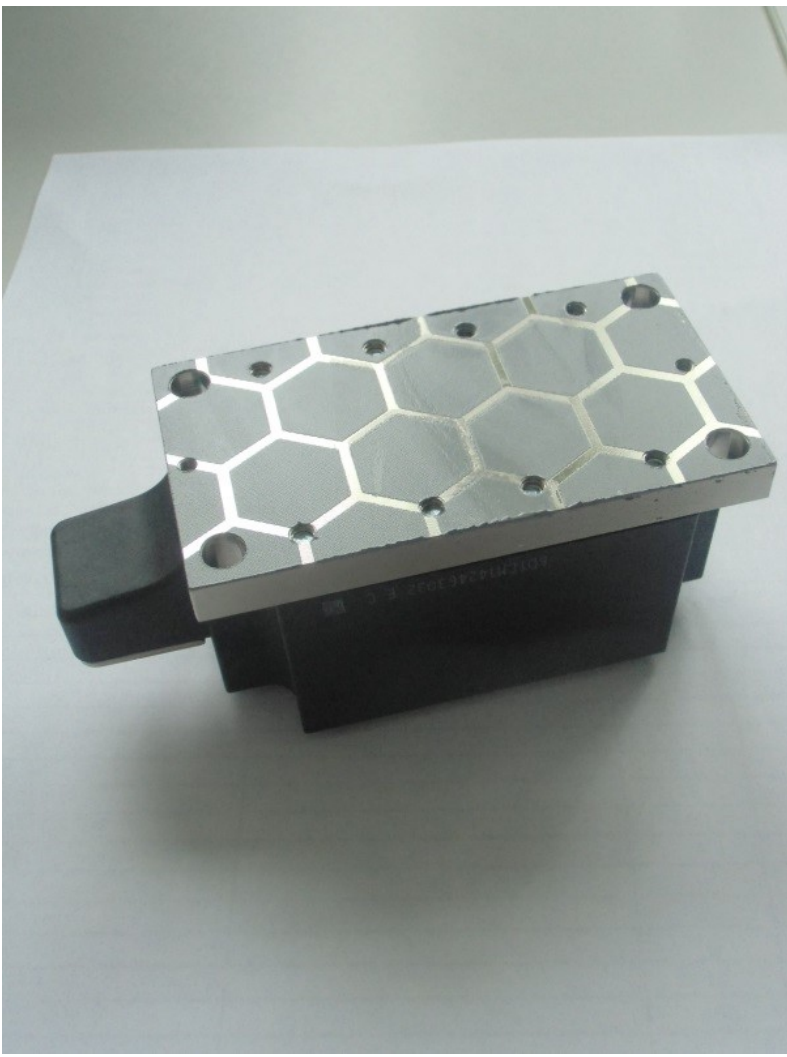
All of our newsletters are archived in our online-shop. More information is available under: www.rd-ebusiness.com

Yours faithfully

R&D Electronics Team

Power Modules with Thermal Interface Material (TIM)

As an option for service, TECHSEM offers with immediate effect power modules with pre-applied thermal interface material (TIM).



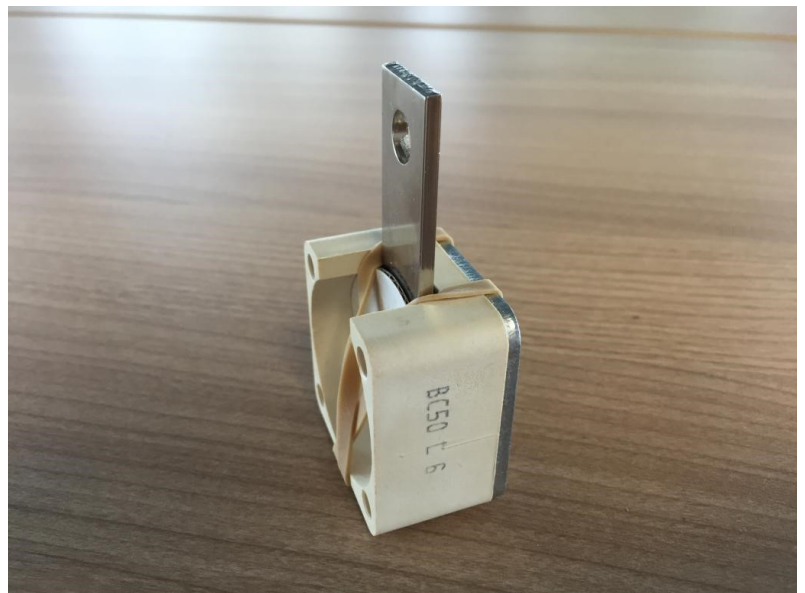
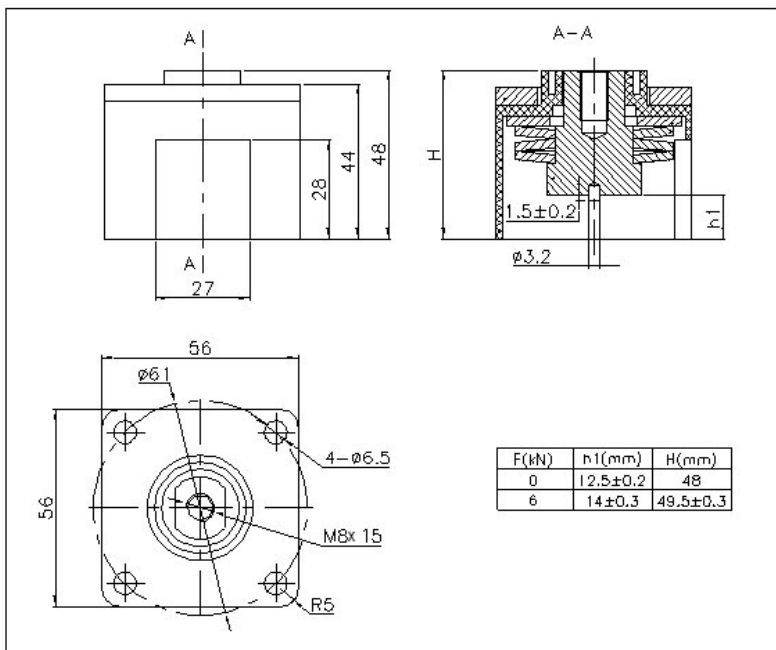
Our customers can benefit the following advantages:

- Lower thermal resistance with optimized TIM layer thickness;
- Improved lifetime and reliability Current;
- Modules can be shipped directly to the assembly line without any additional treatment;
- Increased productivity due to reduced handling costs and logistics;
- High mounting robustness during assembly;
- Lower overall costs in most cases.

Box Clamp for Capsule (Press Pack) Semiconductors

TECHSEM presents a new range of disc cell clamping devices, developed for single side applications of the most used press pack semiconductors.

These clamps are designed to protect disc cells from accidental contacts, dust and shocks with an oversized surface spark gap.



Special executions are available on request. Please contact us for details.

Free Samples

You want to test our products? No problem. We provide now for certain types of products with limited quantities as free samples at your disposal. For the available products, you only need to pay for the shipping costs from Hong Kong to your delivery address. Do not hesitate to register as customer in our shop and contact us for free samples of your choice: www.rd-ebusiness.com.